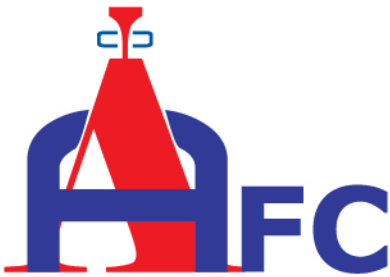


UL / FM - Resilient Seated Gate Valves & Indicator Post



Features:

- Newly advanced design, less operation torque & abrasion resistance.
- Body & Cover are made of high grade Ductile Iron.
- Forged stem provides stronger stem operation and less moving parts.
- Disc is covered by high-grade rubber, which complies with drinking water.
- High-tech rubber curing with precise geometry dimensions, more resilient & strong adhesive to ductile casting.
- The O-ring stem seals are designed to prevent stem leakage and provide replacement of the O-ring without disassembling of valve from mainline pipes.
- Both inside & outside are coated with epoxy resin powder.

Field Services:

Fire fighting system.

Technical Data:

Size Range: DN50~DN300mm (2"-12")

Working Pressure: 250/300 PSI

Working Temperature:-10°C- 80°C

Flow Media: Water

Flange Ends Connection: ANSI B16.1

Grooved Ends Connection: AWWA C606

Valve Comply To: AWWA C515

Fire fighting Resilient seated gate valve with a soft seal disc which is fully encapsulated with rubber. The valve is designed with new technology for light operating, no clogging and no corrosion, good resilient memory & long service life. It can be used extensively in all kinds of water supply & sewage, fire-fighting and function as a shut-off or regulation valve.



Distributed By:



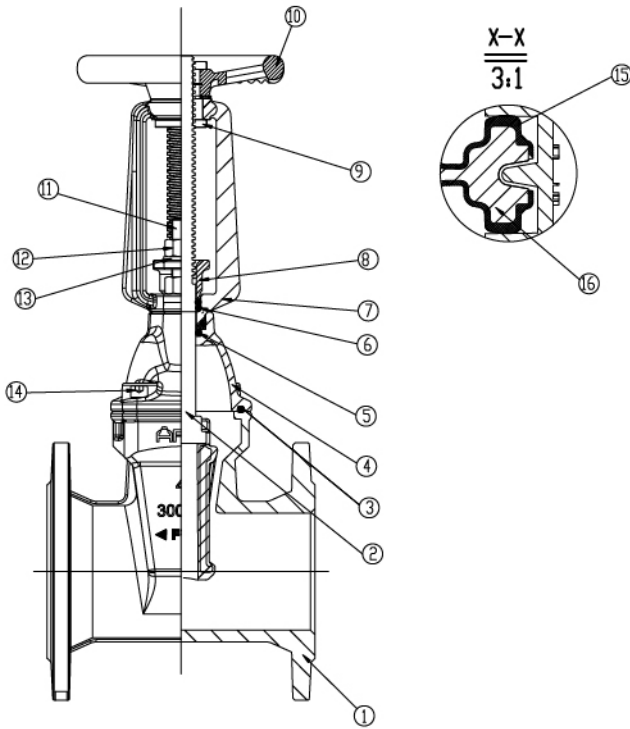
Maxwell Valve Industry Sdn. Bhd.

No. 26, Jalan Utama 2/28,
Taman Perindustrian Puchong Utama,
47140 Puchong, Selangor Darul Ehsan,
Malaysia.

Tel : +60(3) 8060 3325
Fax : +60(3) 8060 3341
E-mail : sales@maxwellvalve.com
Website : www.maxwellvalve.com



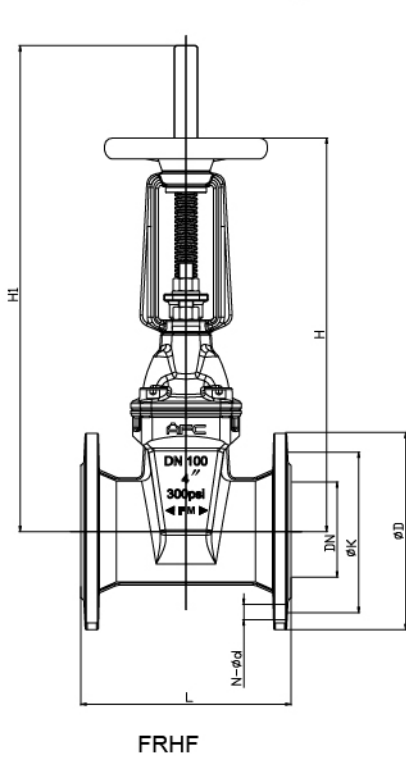
RS Resilient Seated Gate Valves-Fire Fighting - UL / FM



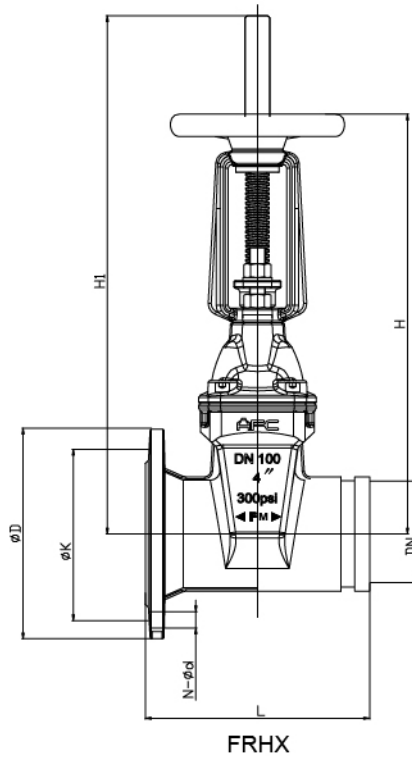
Parts List:

No	Part Name	Material	Standard
1	Body	Ductile Iron	EN GJS 500-7
2	Stem	Stainless Steel	AIS1 420
3	Bonnet Gasket	Rubber	EPDM
4	Bonnet	Ductile Iron	EN GJS 500-7
5	O-ring	Rubber	EPDM
6	O-ring	Rubber	EPDM
7	Yoke	Ductile Iron	EN GJS 500-7
8	Gland	Ductile Iron	EN GJS 500-7
*9	Thrust Nut	Brass/Bronze	CZ122/CA103
10	Handwheel	Carbon Steel	Commercial
11	Thread Bar	Carbon Steel	Commercial
12	Nut	Carbon Steel	Commercial
13	Washer	Carbon Steel	Commercial
14	In Hex Bolt	Carbon Steel	Commercial
15	Wedge Lining	Rubber	EPDM
16	Wedge	Ductile Iron	EN GJS 500-7

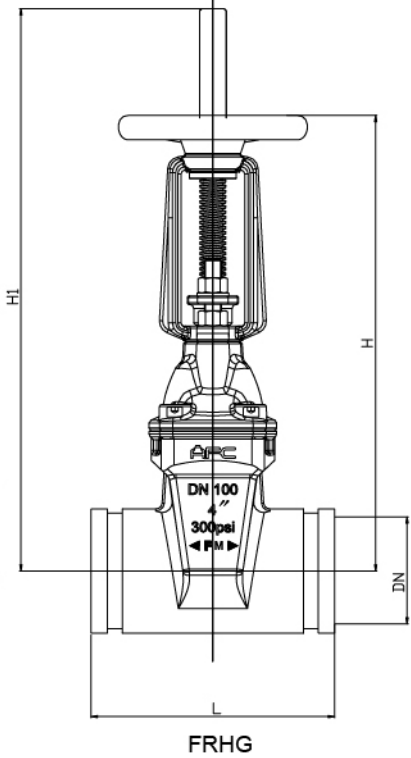
* DN250 & DN300 use bronze.



FRHF



FRHX

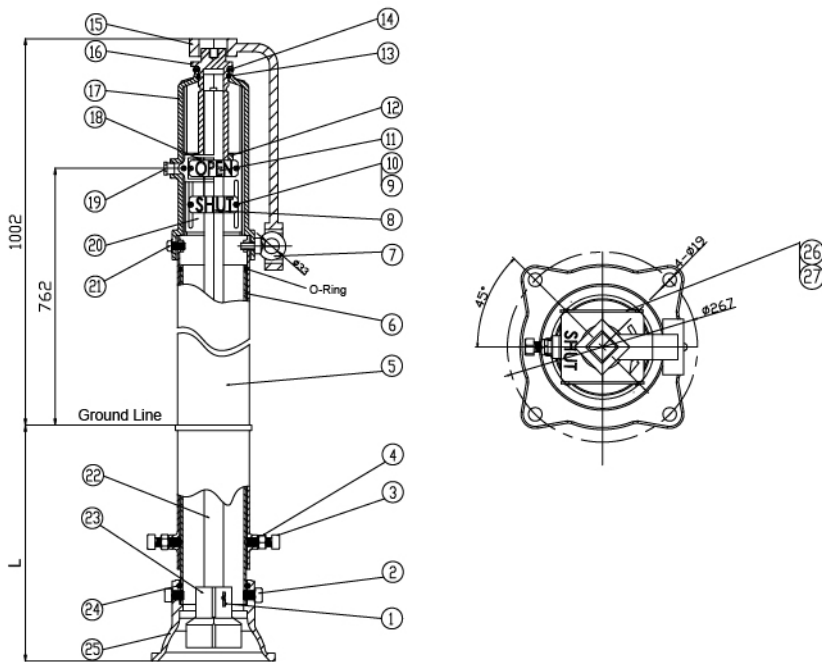


FRHG

Dimension

Size		Model No	L	ØD	ØK	n-Ød	H	H ₁
IN	mm	FRH (F/G/X)	mm	ANSI	ANSI	ANSI	close mm	open mm
2	50	FRHF-0050	178	152	121	4-Ø19	321	382
2 1/2	65	FRHF-0065	190	178	140	4-Ø19	338	408
3	80	FRHF-0080	203	191	152	4-Ø19	393	480
4	100	FRHF-0100	229	229	191	8-Ø19	441	544
5	125	FRHF-0125	254	--	--	8-Ø23	559	692
6	150	FRHF-0150	267	279	241	8-Ø23	598	759
8	200	FRHF-0200	292	343	298	8-Ø23	743	953
10	250	FRHF-0250	330	406	362	12-Ø26	880	1140
12	300	FRHF-0300	356	483	432	12-Ø26	1009	1319

VIPX-Vertical Indicator Post



Parts List:

No	Part Name	Material
1	Cotter Pin	Carbon Steel
2	In Hex Bolt	Carbon Steel
3	In Hex Bolt	Carbon Steel
4	Hex Nut	Carbon Steel
5	Telescoping Pipe	Carbon Steel
6	Lower Pipe	Carbon Steel
7	Eye Bolt	Carbon Steel
8	Target "SHUT"	Cast Aluminum
9	Screw	Carbon Steel
10	Hex Nut	Carbon Steel
11	Target "OPEN"	Cast Aluminum
12	Stem Nut	Brass
13	O-Ring	Rubber EPDM
14	Setscrews	Carbon Steel
15	Wrench	Ductile Iron
16	Operating Stem	Brass
17	Post Cap	Ductile Iron
18	Screw Carbon	Carbon Steel 1035 Zinc
19	Screw Plug	Malleable Iron
20	Carrier Plate	Steel A283GRC Zinc
21	In Hex Bolt	Carbon Steel 1045
22	Extension Rod	Carbon Steel 1045
23	Connection Cap	Ductile Iron
24	O-Ring	Rubber EPDM
25	Bottom Flange	Ductile Iron
26	Ferrule	Steel A283GRC Zinc
27	Window Glass	PMMA Window+EPDM

Dimension:

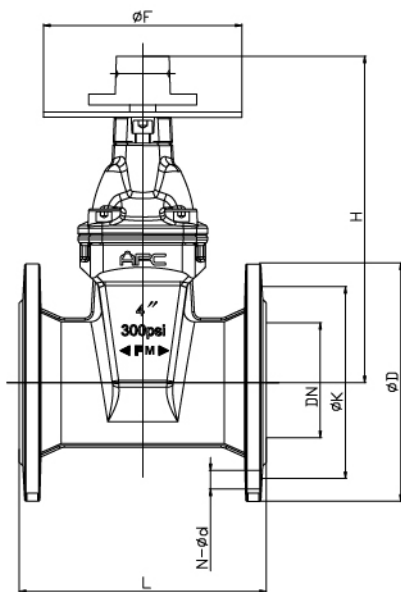
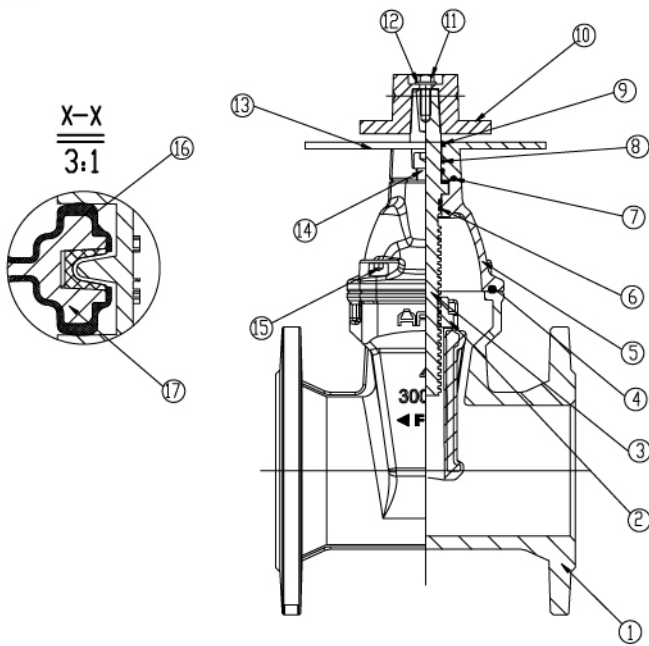
DN mm	Model No.	L mm
80	VIPX-XXXX-1	505-1090
80	VIPX-XXXX-2	1065-1660
80	VIPX-XXXX-3	1626-2210
100	VIPX-XXXX-1	505-1090
100	VIPX-XXXX-2	1065-1660
100	VIPX-XXXX-3	1626-2210
150	VIPX-XXXX-1	505-1090
150	VIPX-XXXX-2	1065-1660
150	VIPX-XXXX-3	1626-2210
200	VIPX-XXXX-1	505-1090
200	VIPX-XXXX-2	1065-1660
200	VIPX-XXXX-3	1626-2210
250	VIPX-XXXX-1	505-1090
250	VIPX-XXXX-2	1065-1660
250	VIPX-XXXX-3	1626-2210
300	VIPX-XXXX-1	505-1090
300	VIPX-XXXX-2	1065-1660
300	VIPX-XXXX-3	1626-2210

NRS Resilient Seated Gate Valves-Fire Fighting - UL / FM

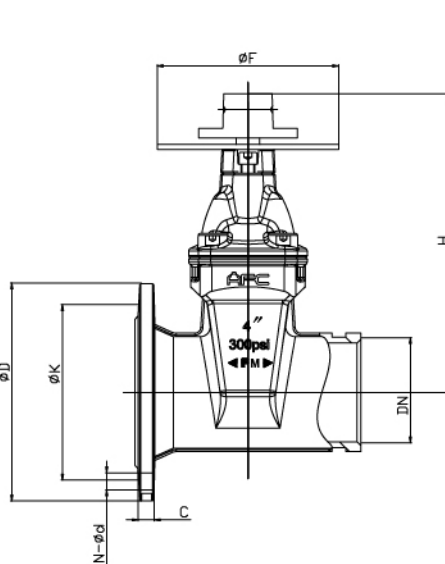
Parts List:

No	Part Name	Material	Standard
1	Body	Ductile Iron	EN GJS 500-7
*2	Wedge Nut	Brass/Bronze	CZ122/CA103
3	Stem	Stainless Steel	AISI 420
4	Bonnet Gasket	Rubber	EPDM
5	Bonnet	Ductile Iron	EN GJS 500-7
6	O-ring	Rubber	EPDM
7	O-ring	Rubber	EPDM
8	O-ring	Rubber	EPDM
9	Dust Wiper	Rubber	EPDM
10	Cap	Ductile Iron	EN GJS 500-7
11	Bolt	Carbon Steel	Commercial
12	Washer	Carbon Steel	Commercial
13	Top Flange	Ductile Iron	EN GJS 500-7
14	In Hex Bolt	Carbon Steel	Steel Commercial
15	In Hex Bolt	Carbon Steel	Steel Commercial
16	Wedge Lining	Rubber	EPDM
17	Wedge	Ductile Iron	EN GJS 500-7

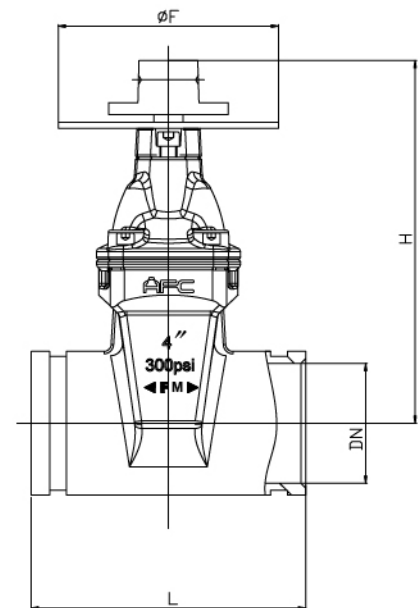
* DN250 & DN300 use bronze.



FNCF



FNCF



FNCG

Dimension

Size		Model No	L	ØD	ØK	n-Ød	H	ØF
IN	mm	FNC (F/G/X)	mm	ANSI	ANSI	ANSI	mm	mm
2 1/2	65	FNCF-0065	190	178	140	4-Ø19	253	305
3	80	FNCF-0800	203	191	152	4-Ø19	288	305
4	100	FNCF-0100	229	229	191	8-Ø19	321	305
5	125	FNCF-0125	254	--	--	8-Ø23	372	305
6	150	FNCF-0150	267	279	241	8-Ø23	409	305
8	200	FNCF-0200	292	343	298	8-Ø23	505	305
10	250	FNCF-0250	330	406	362	12-Ø26	580	305
12	300	FNCF-0300	356	483	432	12-Ø26	658	305

Distributed By:



Maxwell Valve Industry Sdn. Bhd.

No. 26, Jalan Utama 2/28,
Taman Perindustrian Puchong Utama,
47140 Puchong, Selangor Darul Ehsan,
Malaysia.

Tel : +60(3) 8060 3325
Fax : +60(3) 8060 3341
E-mail : sales@maxwellvalve.com
Website : www.maxwellvalve.com

