



VESS non-rising stem Resilient Seated Gate Valve is a soft seal disc which is fully encapsulated with rubber. The valve is designed with new technology for light operating, no clogging and no corrosion, good resilient memory & long service life. It can be used extensively in all kinds of water supply & sewage, fire-fighting and function as a shut-off or regulating valve.

Features:

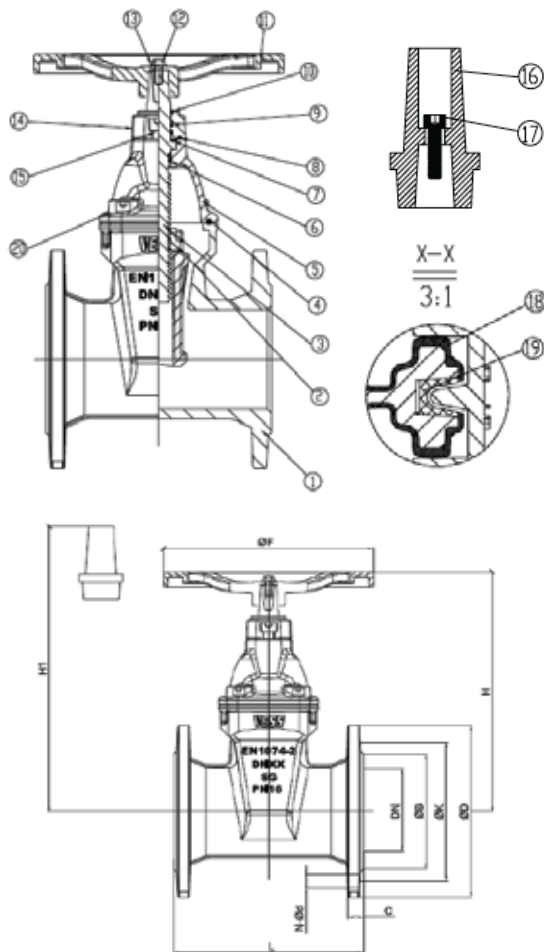
- Advanced design, less operation torque & abrasion resistance.
- Disc is designed with an abrasion resistant nylon guide to provide smooth during operation.
- Forged stem provide stronger stem operation and less moving parts.
- Disc is covered by high-grade vulcanized rubber seal conform to WRAS.
- The 3 O-ring stem seals are designed to prevent stem leakage, and provide replacement of the O-ring without disassembling of valve from mainline pipes.
- Both inside & outside are coated with epoxy resin powder.

Pressure & Temperature

Pressure Rating	16 bar
Hydraulic Body Test Pressure	24 bar
Hydraulic Seat Test Pressure	17.6 bar
Suitable Medium	Water, Sewage
Working Temperature	-10°C - 80°C

Technical Data

Size Range	DN50~DN300mm (DN350mm above available upon request)
Manufacturing Standard	BS 5163: 2004 part 1 & 2 / BS EN: 1074-2
Flange Standard	BS EN 1092-2
F/F (Face to Face) Standard	BS EN 558-1



Note:

1. Conforms to BS 5163:2004 Part 2 ; BS EN1074-2.
2. Flanges comply with BS EN1092-2.

Material Specification

No	Component	Material	Specification
1	Body	Ductile Iron	EN GJS 500-7
2	Wedge Nut	Brass/Bronze	CZ 122/CA 103
3	Stem	Stainless Steel	420S29/431S29
4	Gasket	Rubber	EPDM
5	Bonnet	Ductile Iron	EN GJS 500-7
6	O-ring	Rubber	EPDM
7	Bushing	Brass	CZ 122
8	O-ring	Rubber	EPDM
9	O-ring	Rubber	EPDM
10	Dust Wiper	Rubber	EPDM
11	Hand Wheel	Carbon Steel	Alloy
12	Hex Bolt	Stainless Steel/CS	304S31/Alloy
13	Washer	Stainless Steel/CS	304S31/Alloy
14	Gland	Ductile Iron	EN GJS 500-7
15	In Hex Bolt	Stainless Steel/CS	304S31/Alloy
16	Cap	Ductile Iron	EN GJS 500-7
17	Hex Bolt	Stainless Steel/CS	304S31/Alloy
18	Wedge	Ductile Iron + Vulcanized Rubber	EN GJS 500-7 + EPDM
19	Guide	Plastic	Nylon 66
20	In Hex Bolt	Stainless Steel/CS	304S31/Alloy

Dimensions - Millimetres

Size (DN)	50	65	80	100	125	150	200	250	300
	2"	2.5"	3"	4"	5"	6"	8"	10"	12"
L	178	190	203	229	254	267	292	330	356
H	228	257	292	303	360	402	481	574	655
H1	268	297	332	343	400	442	521	614	693
ØB	99	118	132	156	184	211	266	319	370
ØD PN16	165	185	200	220	250	285	340	405	460
ØK PN16	125	145	160	180	210	240	295	355	410
N-Ød PN16	4-Ø19	4-Ø19	8-Ø19	8-Ø19	8-Ø19	8-Ø23	12-Ø23	12-Ø28	12-Ø28
C PN16	19	19	19	19	19	19	20	22	24.5
ØF	180	180	180	200	250	250	300	350	350

* We reserve the right to alter specifications or dimensions without prior notice.

Distributed By:



Maxwell Valve Industry Sdn. Bhd.
 No. 26, Jalan Utama 2/28,
 Taman Perindustrian Puchong Utama,
 47100 Puchong, Selangor Darul Ehsan, Malaysia

Tel : 60(3) 8060 3325
 Fax : 60(3) 8060 3341
 Email : sales@maxwellvalve.com
 Web : www.maxwellvalve.com