

- 600 W.O.G.
- Blow-out Proof Stem
- Conforms to MSS-SP-110 and BS EN 13828
- Screwed Ends & CxC
- 150 PSI Saturated Steam



**MH15973**  
**Listed** (F1361FP 1/4"~4"only)  
**2J73**

\* F1361FP 1/2"~2" FM. CSA approval

## NOMENCLATURE

## AND MATERIALS

NO.	PART	MATERIAL	SPEC.JIS	SPEC.ASTM
1	NUT	STEEL	S10C	AISI-1010
2	HANDLE	STEEL	SS41	A283-D
3	STEM GLAND SCREW	BRASS	C3604B	B16-C36000
4	STEM PACKING	TEFLON	PTFE	PTFE
5	STEM	BRASS	C3604B	B16-C36000
6	BODY	FORGED BRASS	C3771B	B124-C37700 (1/8"~1 1/2")
		CAST BRASS	YBSC3	B584-C85700 (2"~4")
7	BALL DISC PACKING	TEFLON	PTFE	PTFE
8	BALL DISC	BRASS	C3604B	B16-C36000 (1/8"~3/4")
		FORGED BRASS	C3771B	B124-C37700 (1"~4")
9	END PLUG	FORGED BRASS	C3771B	B124-C37700

## DIMENSIONS-QUANTITIES

F1361FP

NOMINAL SIZE	DIMENSION (mm)				PCS	
	L	H	D	A	Carton	Case
1/8"	46	37	10	84	180	400
1/4"	46	37	10	84	180	400
3/8"	46	37	10	84	180	400
1/2"	51	39	12.7	84	120	400
3/4"	60	50	20	118	90	200
1"	73	54	25	118	60	144
1 1/4"	84	66	32	134	36	80
1 1/2"	92	70	38	134	24	64
2"	110	88	50	200	12	30
2 1/2"	131	98	63	200	8	24
3"	150	106	75	200	6	20
4"	164	106	75	200	4	8

Test pressure : Shell 900 PSI (62bar) (Hydrostatic)  
 Seat 80 PSI (5.5bar) (Air)

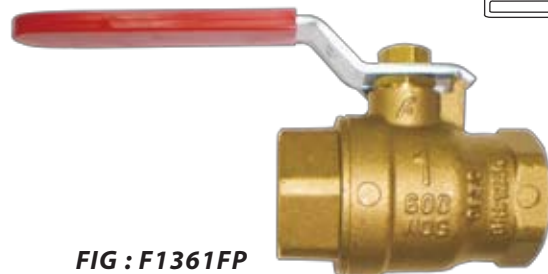
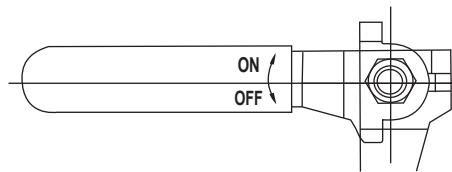
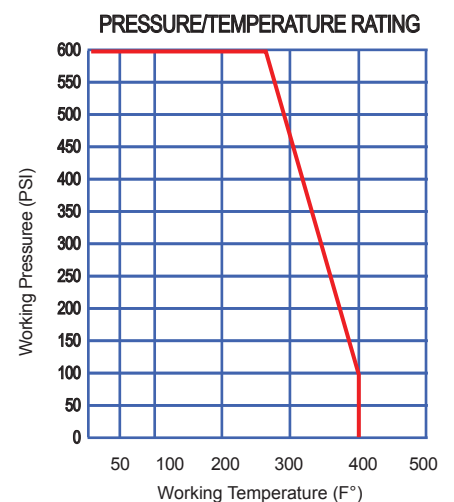
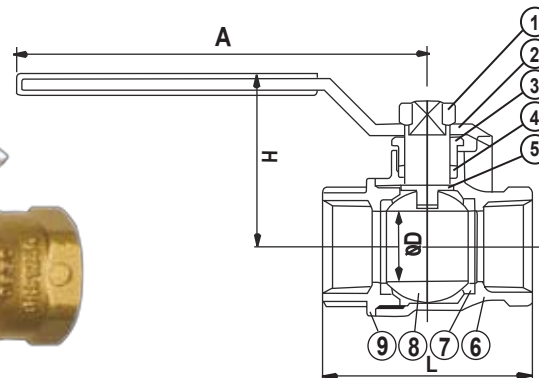


FIG : F1361FP



MANUFACTURED BY:

**Fu San Machinery Co., Ltd.**  
 22, Lane 89, Sec 4, Chang Mei Road,  
 Ho-Mei Town, Chang-Hua, Taiwan  
 Tel : 886 4 756-2131  
 Fax : 886 4 756-2130  
 Web : www.fusan.com.tw

DISTRIBUTED BY:



**Maxwell Valve Industry Sdn. Bhd.**  
 No. 26, Jalan Utama 2/28,  
 Taman Perindustrian Puchong Utama,  
 47100 Puchong, Selangor Darul Ehsan, Malaysia  
 Tel : 60(3) 8060 3325 Fax : 60(3) 8060 3341  
 Email : sales@maxwellvalve.com  
 www.maxwellvalve.com