

- 200 W.O.G.(PN16)
- Non-rising Stem
- Conforms to MSS-SP-80 and BS EN 12288 (BS 5154)
- Screwed Ends & CxC
- Solid Wedge Disc

NOMENCLATURE AND MATERIALS

NO.	PART	MATERIAL	SPEC.JIS	SPEC.ASTM
1	WHEEL NUT	STEEL	S10C	AISI-1010
2	NAME PLATE	ALUMINUM	A1100P	B209-1100
3	HAND WHEEL	CAST IRON	FC20	A48 CLASS / NO.35
4	STEM	BRASS	C3604B	B16-C36000
5	PACKING NUT	BRASS	C3604B	B16-C36000 (1/4"~1")
		CAST BRASS	YBSC3	B584-C85700 (1 1/4"~4")
6	GLAND	BRASS	C3604B	B16-C36000
7	GLAND PACKING	GRAPHITE	COMMERCIAL	COMMERCIAL
8	BONNET	CAST BRONZE	BC1	B584-C84400
9	LOCK NUT	BRASS	C3604B	B16-C36000
10	DISC	CAST BRONZE	BC1	B584-C84400
11	BODY	CAST BRONZE	BC1	B584-C84400

Test pressure : Shell 348 PSI (24bar) (Hydrostatic)
Seat 255 PSI (17.6bar) (Hydrostatic)

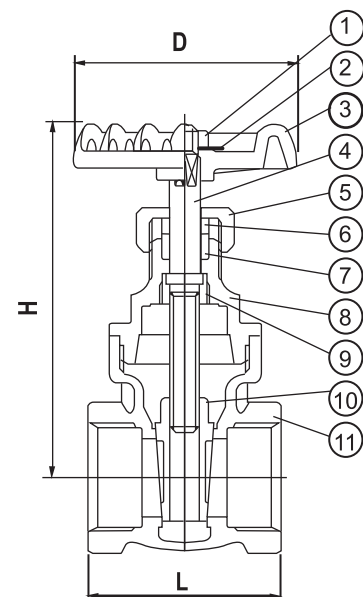


FIG : F1211

DIMENSIONS-QUANTITIES

F1211

NOMINAL SIZE	DIMENSION (mm)			PCS	
	L	H	D	Carton	Case
1/4"	41	70	54	120	300
3/8"	41	70	54	120	300
1/2"	43	72	54	120	300
3/4"	47	84	54	90	200
1"	54	98	61	60	150
1 1/4"	61	116	77	40	100
1 1/2"	62	125	77	32	80
2"	72	153	83	20	60
2 1/2"	89	186	105	12	30
3"	101	222/220	130/112	8	20
4"	116	249/258	172/132	4	9



MANUFACTURED BY:

 **Fu San Machinery Co., Ltd.**
22, Lane 89, Sec 4, Chang Mei Road,
Ho-Mei Town, Chang-Hua, Taiwan
Tel : 886 4 756-2131
Fax : 886 4 756-2130
Web : www.fusan.com.tw

DISTRIBUTED BY:

 **Maxwell Valve Industry Sdn. Bhd.**
No. 26, Jalan Utama 2/28,
Taman Perindustrian Puchong Utama,
47100 Puchong, Selangor Darul Ehsan, Malaysia
Tel : 60(3) 8060 3325 Fax : 60(3) 8060 3341
Email : sales@maxwellvalve.com
www.maxwellvalve.com

- 200 W.O.G. (PN16)
- Non-rising Stem
- Conforms to MSS-SP-80 and BS EN 12288 (BS 5154)
- Screwed Ends & CxC
- Solid Wedge Disc



NOMENCLATURE AND MATERIALS

NO.	PART	MATERIAL	SPEC.JIS	SPEC.ASTM
1	WHEEL NUT	STEEL	S10C	AISI-1010
2	NAME PLATE	ALUMINUM	A1100P	B209-1100
3	HAND WHEEL	CAST IRON	FC20	A48 CLASS / NO.35
4	STEM	BRASS	C3604B	B16-C36000
5	PACKING NUT	BRASS	C3604B	B16-C36000 (1/4"~1")
		CAST BRASS	YBSC3	B584-C85700 (1 1/4"~4")
6	GLAND	BRASS	C3604B	B16-C36000
7	GLAND PACKING	GRAPHITE	COMMERCIAL	COMMERCIAL
8	BONNET	CAST BRASS	YBSC3	B584-C85700
9	LOCK NUT	BRASS	C3604B	B16-C36000
10	DISC	CAST BRASS	YBSC3	B584-C85700
11	BODY	CAST BRASS	YBSC3	B584-C85700

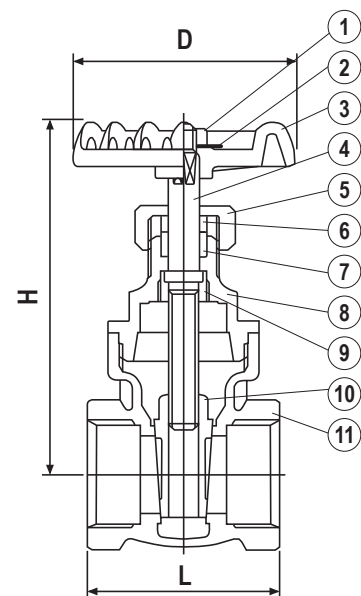
Test pressure : Shell 348 PSI (24bar) (Hydrostatic)
 Seat 255 PSI (17.6bar) (Hydrostatic)



FIG : F1111

DIMENSIONS-QUANTITIES F1111

NOMINAL SIZE	DIMENSION (mm)			PCS	
	L	H	D	Carton	Case
1/4"	41	70	54	120	300
3/8"	41	70	54	120	300
1/2"	43	72	54	120	300
3/4"	47	84	54	90	200
1"	54	98	61	60	150
1 1/4"	61	116	77	40	100
1 1/2"	62	125	77	32	80
2"	72	153	83	20	60
2 1/2"	89	186	105	12	30
3"	101	222/220	130/112	8	20
4"	116	249/258	172/132	4	9



MANUFACTURED BY:

Fu San Machinery Co., Ltd.
 22, Lane 89, Sec 4, Chang Mei Road,
 Ho-Mei Town, Chang-Hua, Taiwan
 Tel : 886 4 756-2131
 Fax : 886 4 756-2130
 Web : www.fusan.com.tw

DISTRIBUTED BY:



Maxwell Valve Industry Sdn. Bhd.
 No. 26, Jalan Utama 2/28,
 Taman Perindustrian Puchong Utara,
 47100 Puchong, Selangor Darul Ehsan, Malaysia
 Tel : 60(3) 8060 3325 Fax : 60(3) 8060 3341
 Email : sales@maxwellvalve.com
 www.maxwellvalve.com