



ENOLGAS

DATA SHEET

VALSTOP Art. H.0151

DESCRIPTION: **FULL BORE SPRING LOADED NON-RETURN CHECK VALVE HEAVY DUTY**

MATERIAL OF THE BODY: **FORGED BRASS BAR**

JUMPER & GUIDE: **HOSTAFORM**

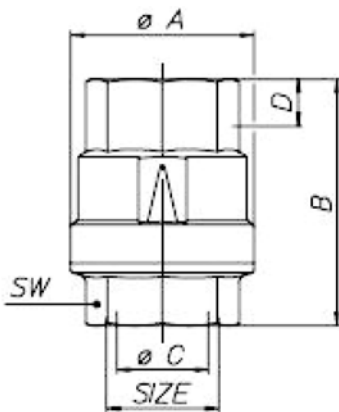
SEAL: **NBR**

SPRING: **STAINLESS STEEL**

END CONNECTION: **Screwed to ISO 228/1 standard**

MAXIMUM OPERATING PRESSURE: **PN20 (see diagram)**

MAXIMUM OPERATING TEMPERATURE: **80°C (see diagram)**

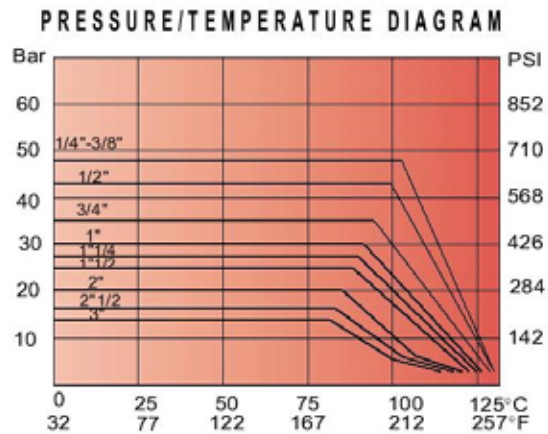
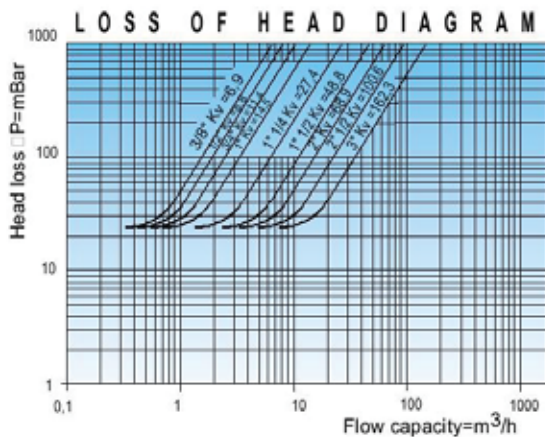


SIZE	1/4 "	3/8"	1/2"	3/4"	1"	1¼"	1½"	2"	2½"	3"
Ø A mm	28	28	34	41.5	50	60.5	73.5	89	114	137
B mm	46.5	46.5	50	59	67	76	90	101	127	150
Ø C bore	10	10	15	20	25	32	40	50	65	80
D mm	10	8.7	9.7	11.2	12.7	13.7	15.7	17.7	19.7	21.7
SW mm	21	21	26	32	39	49	56	69	86	100
Weight gr.	97	83	147	218	340	551	913	1414	2519	4447

NOTE: The dimensions and weight in the table are indicatives and not binding. The manufacture retains the right to change specification without prior notice, to ensure that quality and technical standards are maintained at the highest level.

LOSS OF HEAD & PRESSURE/TEMPERATURE DIAGRAM

NOTE: The reported parameters in the diagram, are just indicative: The type of fluid, change of the pressure, temperature and frequency of manouvre operations have a certain influence on valve's life.



Manufacturer:



ENOLGAS BONOMI S.p.A
Via Europa 227 25062 Concesio, Italy
tel. 030.2184.311 fax. 030.2184.333
www.enolgas.it

Distributor:



Maxwell Valve Industry Sdn. Bhd.
No. 26, Jalan Utama 2/28,
Taman Perindustrian Puchong Utama,
47100 Puchong, Selangor Darul Ehsan, Malaysia
Tel : 60(3) 8060 3325 Fax : 60(3) 8060 3341
Email : sales@maxwellvalve.com
www.maxwellvalve.com