



ENOLGAS

DATA SHEET **Y-STRAINER Art. H.0400**

DESCRIPTION: **Y-STRAINER WITH STAINLESS STEEL SIEVE**
FOR WATER AND FLUIDS

MATERIAL OF THE BODY: **FORGED BRASS**

COVER: **FORGED BRASS**

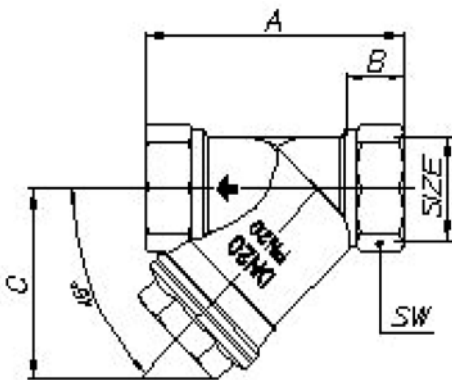
GASKET: **NBR**

SCREEN: **STAINLESS STEEL**

END CONNECTION: **Screwed to ISO 228/1 standard**

MAXIMUM OPERATING PRESSURE: **PN20**

MAXIMUM OPERATING TEMPERATURE: **80°C**

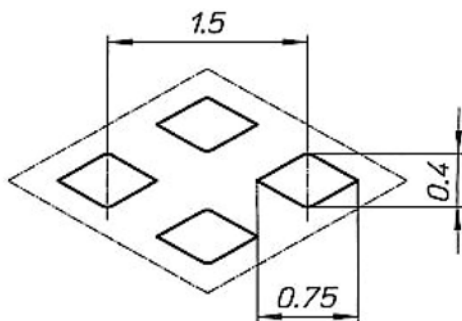


SIZE	3/8 "	1/2"	3/4"	1"	1¼"	1½"	2"
Amm	55	58	70	87	96	106	126
B mm	10	12	13	17	20	21	22
C mm	40	40	50	60	68	75	90
SW mm	21	25	31	38	48	55	68
Øbore mm	0.4	0.4	0.4	0.4	0.5	0.5	0.5
empty/full %	38%	38%	38%	38%	48%	48%	48%
PN bar	20	20	20	20	20	20	20
Weight gr.	130	150	240	395	700	860	1330

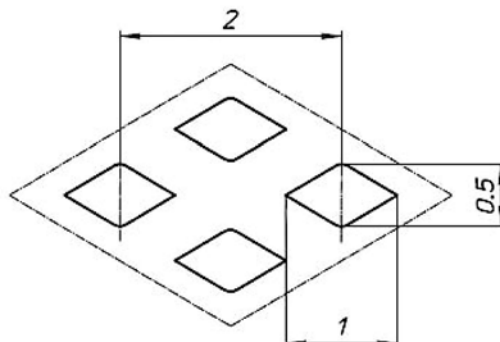
NOTE: The dimensions and weight in the table are indicatives and not binding. The manufacture retains the right to change specification without prior notice, to ensure that quality and technical standards are maintained at the highest level.

STAINLESS STEEL FORI FILTRO

FORI FILTRO
Dal DN 10 (3/8") al DN 25 (1")



FORI FILTRO
Dal DN 32 (1¼") al DN 50 (2")



Manufacturer:



ENOLGAS

ENOLGAS BONOMI S.p.A
Via Europa 227 25062 Concesio, Italy
tel. 030.2184.311 fax. 030.2184.333
www.enolgas.it

Distributor:



Maxwell Valve Industry Sdn Bhd

No. 26, Jalan Utama 2/28, Taman Perindustrian Puchong Utama,
47140 Puchong, Selangor Darul Ehsan, Malaysia.
Tel : 60(3) 8060 3325 Fax : 60(3) 8060 3341
E-mail : sales@maxwellvalve.com
www.maxwellvalve.com