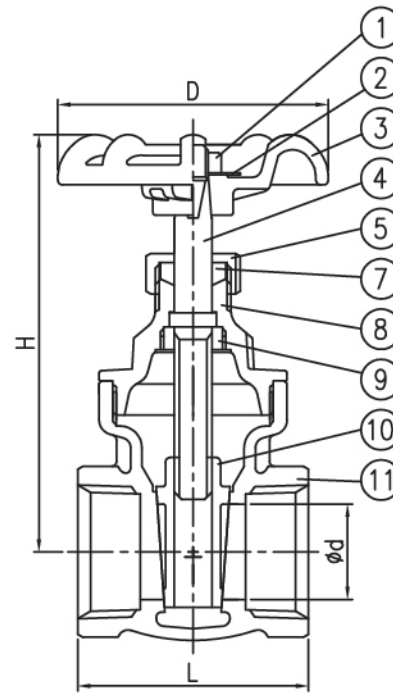


Approved By :



 SIRIM
 CERTIFIED TO :
 BS EN 12288:2010

Features

- 16 Bar / 232 PSI (PN16)
- Non-rising Stem
- Screwed Ends & CxC
- Conforms to BS EN 12288:2010
- Solid WedgeDisc
- Test Pressure :
 Shell 348 PSI (24 Bar) (Hydrostatic)
 Seat 255 PSI (17.6 Bar) (Hydrostatic)

Dimensions - Millimetres
F1211

Nominal Size(DN)	Dimension (mm)				Pcs Ctn
	L	H	D	d	
15 1/2"	42	73	54	13	120
20 3/4"	46	83	54	19	90
25 1"	50	94	61	24	60
32 1 1/4"	59	114	77	31	40
40 1 1/2"	62	123	77	37	32
50 2"	72	148	83	49	20
65 2 1/2"	89	183	105	63	12
80 3"	101	212/210	132/112	75	8
100 4"	116	240/248	172/132	92	4

Nomenclature & Materials

No.	Part	Material	Spec. JIS	Spec. ASTM
1	Wheel Nut	Steel	S10C	AISI-1010
2	Name Plate	Aluminium	A1100P	B209-1100
3	Hand Wheel	Zinc Alloy / Cast Iron	ADC12	B85
4	Stem	Brass	C3604B	B16-C36000
5	Packing Nut	Brass	C3604B	B16-C36000 (1/4" ~ 1")
		Cast Brass	C3771B	B124-C37700 (1 1/4" ~ 4")
6	Gland	Brass	C3604B	B16-C36000
7	Gland Packing	Rubber	NBR	NBR
8	Bonnet	Cast Bronze	CAC401	B584-C84400
9	Lock Nut	Brass	C3604B	B16-C36000
10	Disc	Cast Bronze	CAC401	B584-C84400
11	Body	Cast Bronze	CAC401	B584-C84400

Manufactured By:



Fu San Machinery Co. Ltd.
 22, Lane 89, Sec 4,
 Chan Mei Road, Ho-Mei Town,
 Chan-Hua, Taiwan.
 Tel : 886 4756-2131
 Fax : 886 4756 2130
 Web : www.fusan.com.tw

Distributed By:


Maxwell Valve Industry Sdn Bhd (799530-K)

Vess Valve Sdn. Bhd. (922423-U)

No. 26, Jalan Utama 2/28,
 Taman Perindustrian Puchong Utama,
 47140 Puchong, Selangor Darul Ehsan, Malaysia.
 Tel : 60(3) 8060 3325
 Fax : 60(3) 8060 3341
 E-mail : sales@maxwellvalve.com
 Web : www.maxwellvalve.com