



# ENOLGAS

## DATA SHEET

## Y-STRAINER Art. H.0401

DESCRIPTION: **Y-STRAINER WITH STAINLESS STEEL SIEVE**

**FOR WATER AND FLUIDS**

MATERIAL OF THE BODY: **BRONZE**

COVER: **BRONZE**

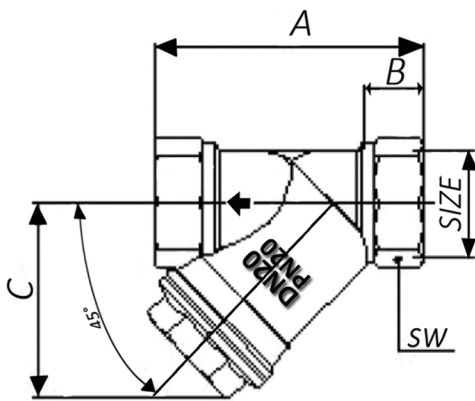
GASKET: **NBR**

SCREEN: **STAINLESS STEEL**

END CONNECTION: **Screwed to ISO 228/1 standard**

MAXIMUM OPERATING PRESSURE: **PN20**

MAXIMUM OPERATING TEMPERATURE: **80°C**

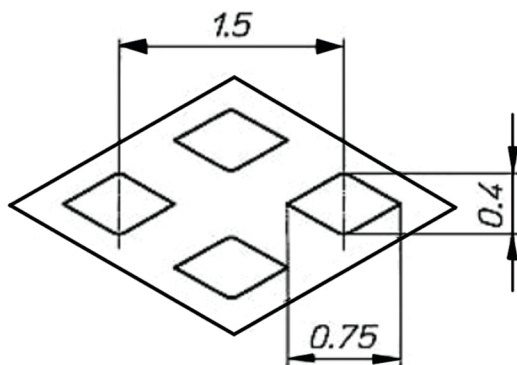


SIZE	1/2"	3/4"	1"	1 1/4"	1 1/2"	2"	2 1/2"	3"	4"
A mm	58	70	87	96	106	126	145	165	215
B mm	12	13	17	20	21	22	24	26	27
C mm	40	50	60	68	75	90	100	118	170
SW mm	25	31	38	48	55	68	85	99	126
Øbore mm	0.4	0.4	0.4	0.5	0.5	0.5	0.6	0.6	0.6
empty/full %	38%	38%	38%	48%	48%	48%	50%	50%	50%
PN bar	20	20	20	20	20	20	16	16	16
Weight gr.	177	284	456	700	940	1510	2180	3220	6740

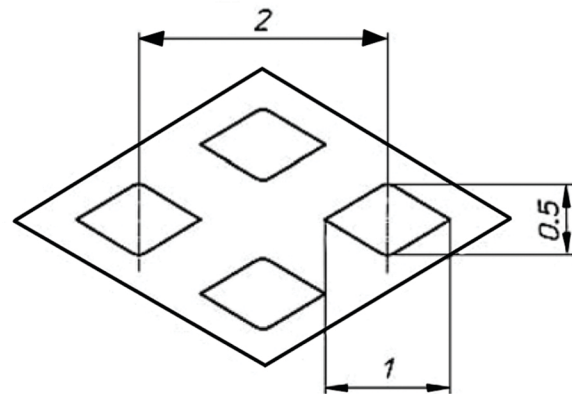
NOTE: The dimensions and weight in the table are indicatives and not binding. The manufacture retains the right to change specification without prior notice, to ensure that quality and technical standards are maintained at the highest level.

## STAINLESS STEEL FORI FILTRO

FORI FILTRO  
Dal DN 10 (3/8") al DN 25 (1")



FORI FILTRO  
Dal DN 32 (1 1/4") al DN 50 (2")



Manufacturer:



ENOLGAS BONOMI S.p.A  
Via Europa 227 25062 Concesio, Italy  
tel. 030.2184.311 fax. 030.2184.333  
www.enolgas.it

Distributor:



**Maxwell Valve Industry Sdn Bhd** (799530-K)  
**Vess Valve Sdn Bhd** (922423-U)  
No.26 , Jalan Utama 2/28 ,  
Taman Perindustrian Puchong Utama.  
47140 Puchong , Selangor Darul Ehsan , Malaysia

Tel : 60(3) 8060 3325  
Fax : 60(3) 8060 3341  
E-mail : sales@maxwellvalve.com  
Web : www.maxwellvalve.com