



VESS Check is a fully encapsulated resilient disc seat, double flange swing check valve for reliable reverse flow prevention, good for both clean water/ sewage applications. It is a 40 degree angle declined seat which can help quick closure and minimize the water hammer and slamming.

Features:

- Double flange design, the disc is composed of DI plate, steel bar shaft and nylon reinforced fabric.
- The rubber disc is totally encapsulated in NBR / EPDM rubber for superior sealing and corrosion resistance.
- Nylon fabric is inserted into the disc for strengthening the disc from cracking and breaking during operations.
- Much shorter stroke to minimize water hammer and water slamming.
- The flap disc rises above the flow profile reducing possible wear and damage.
- All iron parts are coated in fusion bond epoxy resin.
- Simple design, top entry cover allows for access and cleaning, replacement and maintenance easy.

APPROVED BY:



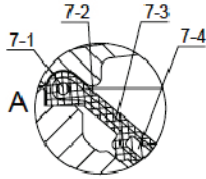
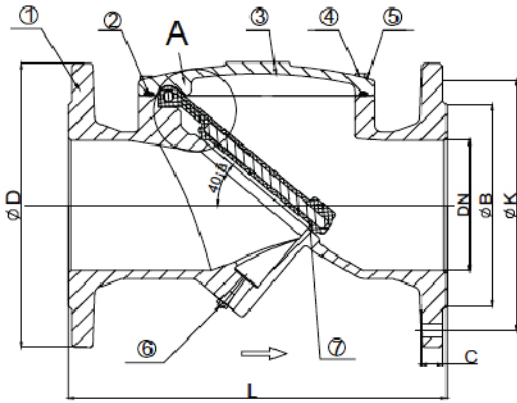

SIRIM
CERTIFIED TO:
BS EN 12334 : 2001

Pressure & Temperature

Pressure Rating	16 Bar
Hydraulic Body Test Pressure	24 Bar
Hydraulic Seat Test Pressure	17.6 Bar
Working Temperature	-10°C ~ 80°C
Suitable Medium	Water & Sewage

Technical Data

Size Range	DN 50 ~ DN 400mm (450mm above available upon request)
Manufacturing Standard	BS EN 12334:2001 / BS EN 1074-3
Flange Standard	BS EN 1092-2 PN16
F/F (Face to Face) Standard	BS EN 558-1



Part Lists & Material Specification

No	Component	Material	Specification
1	Body	Ductile Iron	EN GJS 500-7
2	O-ring	Rubber	NBR
3	Bonnet	Ductile Iron	EN GJS 500-7
4	Bolt	Stainless Steel	304S31
5	Washer	Stainless Steel	304S31
*6	Plug (Option)	Stainless Steel	304S31
7	Disc	Carbon Steel + Rubber	C45E4 + EPDM
7-1	Bar	Stainless Steel	304S31
7-2	Lining	Rubber	EPDM
7-3	Reinforcement Fabric	Nylon	Commercial
7-4	Disc Plate	Carbon Steel	C45E4

* Item 6 will be an option.

Note:

1. Comforms to BS EN 12334:2001;
BS EN 1074-3
2. Flange comply with BS EN 1092-2

Dimensions - Millimetres

Size (DN)	50	65	80	100	125	150	200	250	300	350	400
L	203	216	241	292	330	356	495	622	698	787	914
ØB	99	118	132	156	184	211	266	319	370	429	480
ØD PN 16	165	185	200	220	250	285	340	405	460	520	580
ØK PN 16	125	145	160	180	210	240	295	355	410	470	525
N-Ød PN 16	4-Ø19	4-Ø19	8-Ø19	8-Ø19	8-Ø19	8-Ø23	12-Ø23	12-Ø28	12-Ø28	16-Ø28	16-Ø31
C PN 16	19	19	19	19	19	19	20	22	24.5	26.5	28

* We reserve the right to alter specifications or dimensions without prior notice.

Distributed By:



Maxwell Valve Industry Sdn Bhd
Vess Valve Sdn. Bhd. (799530-K)
 No. 26, Jalan Utama 2/28,
 Taman Perindustrian Puchong Utama,
 47140 Puchong, Selangor Darul Ehsan, Malaysia.

Tel : 60(3) 8060 3325
 Fax : 60(3) 8060 3341
 E-mail : sales@maxwellvalve.com
 Web : www.maxwellvalve.com