

VESS is a resilient seated butterfly valve, with an EPDM/NBR rubber seat on valve body. The rubber sealing provides both sides bubble tight shut off and the pin design provides stronger and fixed connections between shaft and discs that ensure the stem stays firm during operation.



### Features:

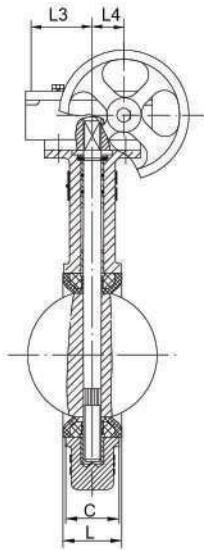
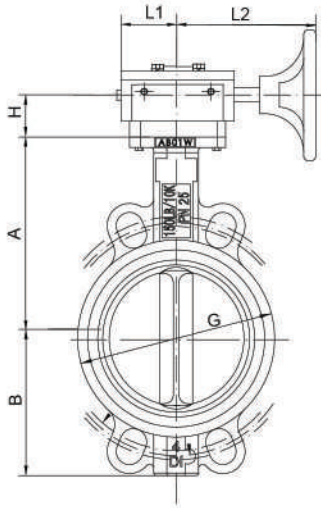
- Pin design for better operation without components loose and leakage during operation.
- EPDM/NBR rubber on valve body ensures fully corrosion resistance.
- Special notch plate provides long term services and corrosion resistance.
- Body is coated with epoxy resin for corrosion resistance to maximize service life.
- Butterfly valves standard with a hard back seat. No movement of the seat which results in a constant torque, and:
  - Dimensionally stable seat sealing surface
  - Minimal seat wear, extending seat life
  - Blow-out proof seat
  - Easily field replaceable
- Rigid design steel lever and with stainless steel pin and spring parts provides much better corrosion resistance and long service life.
- Bi-directional tight shut off closure.
- PTFE bushings on the upper shaft ensure stronger positioning function during operation.

### Pressure & Temperature

Nominal Pressure	25 bar
Hydraulic Shell Test Pressure	37.5 bar
Hydraulic Seat Test Pressure	27.5 bar
16 Bar at	-10°C ~ 100°C
Suitable Medium	Water

### Service Fields

General water supply , HVAC , water treatment , fire fighting , chemical system , and industry , ect.



### Technical Data

Size Range	DN50~DN300mm
Manufacturing Design Meets	ISO 5752 / DIN 3202 / EN 593 / BS 5155 / API 609
Flange Standard	BS EN 1092-2 PN25
F/F (Face to Face) Standard	EN 558-1, MSS SP-67
Top Flange Standard	ISO 5211/1

### Material Specification

Parts Name	Material
Body	Ductile Iron
Disc	DI / CF8 / CF8M / Bronze
Seat	NBR / EPDM / Viton
Bushings	PTFE / BRONZE
Shaft	SS416/ 304 / 316 / 431
Gear Box	Ductile Iron

- Note:**
1. Conforms to BS 5155, MSS SP 67.
  2. Bolt circles are designed to fit BS 4504 PN25, other flange specifyon order.
  3. Top flange conforms to ISO 5211/1.

### Dimensions - Millimetres

Size (DN)	50	65	80	100	125	150	200	250	300
	2"	2.5"	3"	4"	5"	6"	8"	10"	12"
C	43	46	46	52	56	56	60	68	78
L	46	49	49	55	59	59	64	72	81
L1	53	53	53	53	53	53	76	76	76
L2	155	155	155	155	155	155	237	237	225
L3	53	53	53	53	53	53	76	76	78
L4	45	45	45	45	45	45	63	63	78
A	125	136	142	163	176	197	230	268	292
B	73	82	91	107	127	143	170	204	240
G	102	46	130	154	180	210	264	324	374
H	40	40	40	40	40	40	40	40	46
Weight (kg)	6.8	7.5	8.2	9.7	11.3	12.7	22.3	31.3	42.6

\* We reserve the right to alter specifikatons or dimensions without prior notice.

Distributed By:



**Maxwell Valve Industry Sdn Bhd**  
**Vess Valve Sdn. Bhd.** (922423-U)  
 No. 26, Jalan Utama 2/28,  
 Taman Perindustrian Puchong Utama,  
 47140 Puchong, Selangor Darul Ehsan, Malaysia.

Tel : 60(3) 8060 3325  
 Fax : 60(3) 8060 3341  
 E-mail : sales@maxwellvalve.com  
 Web : www.maxwellvalve.com