



VESS is a resilient seated butterfly valve, with an EPDM/NBR rubber seat on valve body. The rubber sealing provides both sides bubble tight shut off and the pin design provides stronger and fixed connections between shaft and discs that ensure the stem stays firm during operation.

### Features:

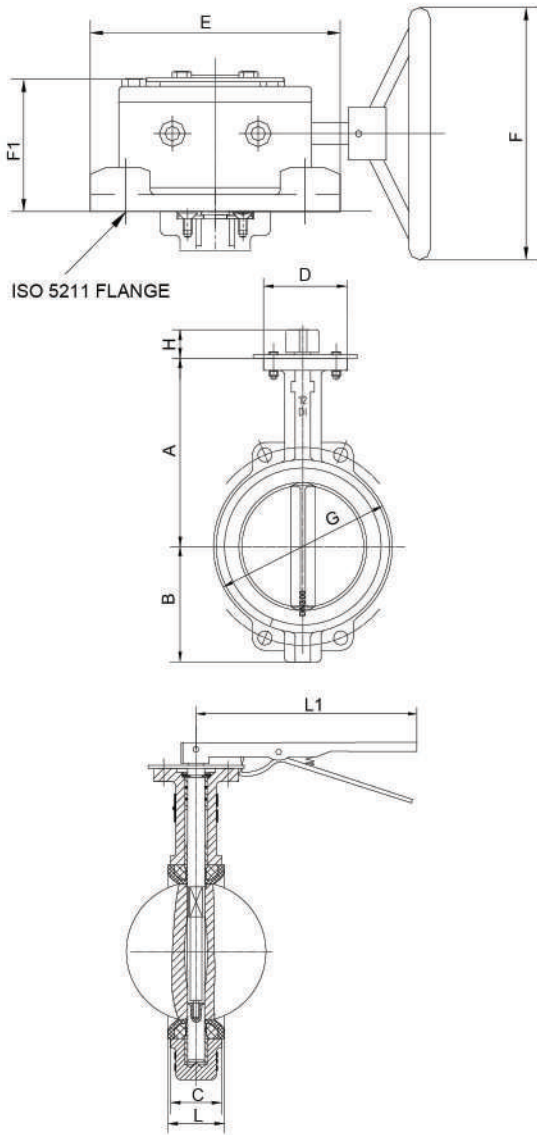
- Pin design for better operation without components loose and leakage during operation.
- EPDM/NBR rubber on valve body ensures fully corrosion resistance.
- Special notch plate provides long term services and corrosion resistance.
- Body is coated with epoxy resin for corrosion resistance to maximize service life.
- Butterfly valves standard with a hard back seat. No movement of the seat which results in a constant torque, and:
  - Dimensionally stable seat sealing surface
  - Minimal seat wear, extending seat life
  - Blow-out proof seat
  - Easily field replaceable
- Rigid design steel lever and with stainless steel pin and spring parts provides much better corrosion resistance and long service life.
- Bi-directional tight shut off closure.
- PTFE bushings on the upper shaft ensure stronger positioning function during operation.

### Pressure & Temperature

Nominal Pressure	16 bar
Hydraulic Shell Test Pressure	24 bar
Hydraulic Seat Test Pressure	17.6 bar
16 Bar at	-10°C ~ 100°C
Suitable Medium	Water

### Service Fields

General water supply , HVAC , water treatment , fire fighting , chemical system , and industry , ect.



### Technical Data

Size Range	DN50~DN600mm
Manufacturing Design Meets	ISO 5752 / DIN 3202 / EN 593 / BS 5155 / API 609
Flange Standard	BS EN 1092-2 PN16
F/F (Face to Face) Standard	EN 558-1, MSS SP-67
Top Flange Standard	ISO 5211/1

### Material Specification

Parts Name	Material
Body	Cast Iron / Ductile Iron
Disc	DI / CF8 / CF8M / Bronze
Seat	NBR / EPDM / Viton
Bushings	PTFE / BRONZE
Shaft	SS416/ 304 / 316 / 431
Lever / Gear Box	Malleable Iron / Cast Iron

#### Note:

1. Conforms to BS 5155, MSS SP 67.
2. Valve 200mm and above are supplied as standard with gear operated.
3. Bolt circles are designed to fit BS 4504 PN 16, other flange specify on order.
4. Top flange conforms to ISO 5211/1.

### Dimensions - Millimetres

Size (DN)	50 2"	65 2.5"	80 3"	100 4"	125 5"	150 6"	200 8"	250 10"	300 12"
E	80	80	80	80	105	105	118	118	118
F	100	100	100	100	120	120	200	200	200
F1	48	48	48	48	55	55	69	69	69
C	43	46	46	52	56	56	60	68	78
L	46	49	49	55	59	59	64	72	81
L1	267	267	267	267	267	267	359	359	359
D1	65	65	65	90	90	90	125	125	125
H	32	32	32	32	32	32	45	45	45
A	161	175	181	200	213	226	260	292	337
B	80	89	95	114	127	139	175	203	242
G	100	120	127	156	190	212	268	325	403
Weight (kg)	3.7	4.4	4.6	6.3	8.6	10.2	16.8	25.3	38.3

\* We reserve the right to alter specifications or dimensions without prior notice.

Distributed By:



**Maxwell Valve Industry Sdn Bhd**  
 Vess Valve Sdn. Bhd. (922423-U)  
 No. 26, Jalan Utama 2/28,  
 Taman Perindustrian Puchong Utama,  
 47140 Puchong, Selangor Darul Ehsan, Malaysia.

Tel : 60(3) 8060 3325  
 Fax : 60(3) 8060 3341  
 E-mail : sales@maxwellvalve.com  
 Web : www.maxwellvalve.com